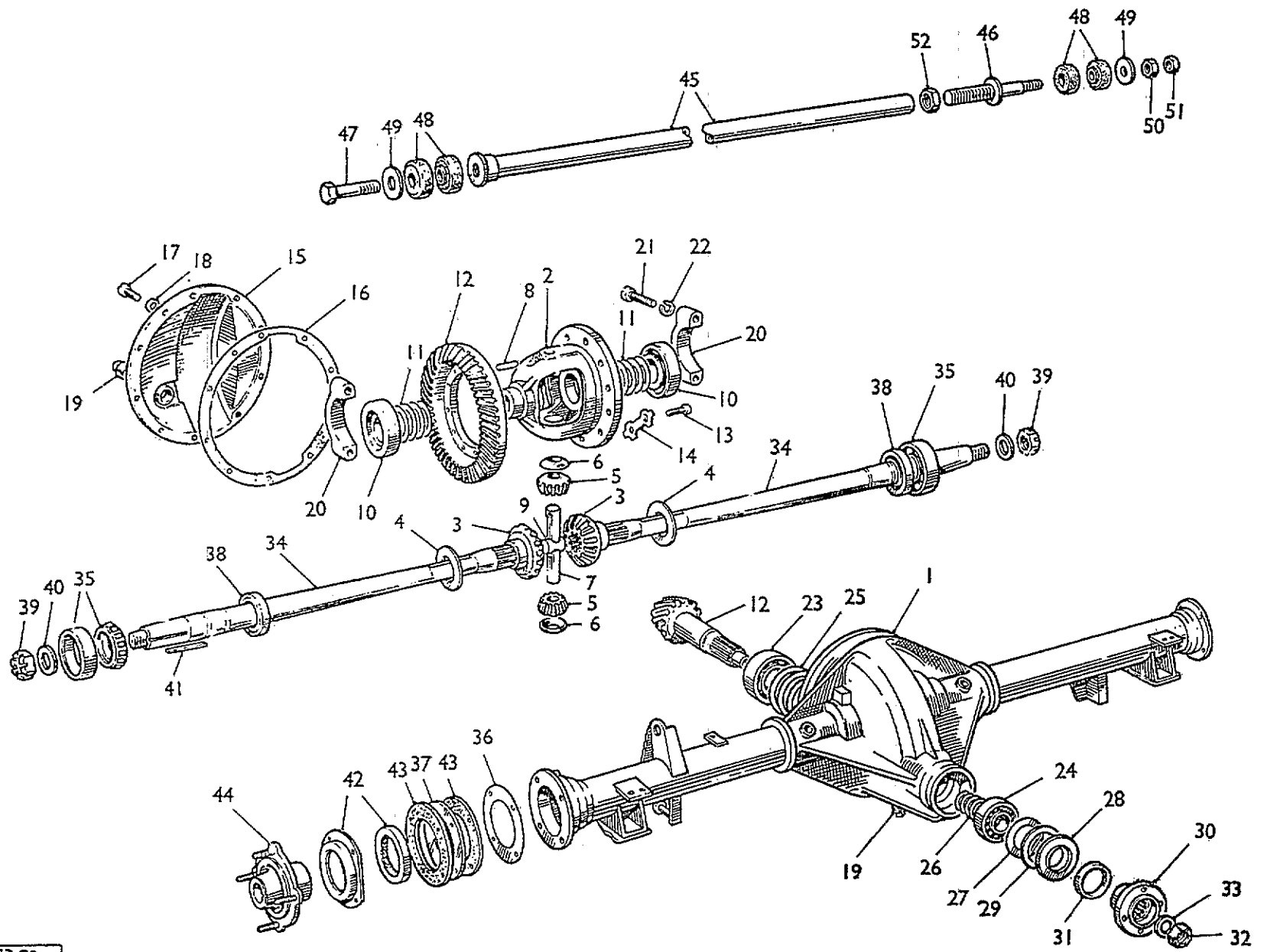


SECTION NF

REAR AXLE and ROAD WHEELS

REAR AXLE AND ROAD WHEELS



SECTION NF

2nd Issue

REAR AXLE AND ROAD WHEELS

Plate Ref.	Rootes Part Number	Dana Part Number	DESCRIPTION	No. per Veh.	REMARKS
			REAR AXLE UNIT		Not supplied
1	5042516		Casing—Rear axle	1	
2	5042697		Differential case	1	
3	5042521	17832	Differential side gears	2	
4	5042522	13331-3	Thrust washer—Differential side gears	2	
5	5042523	17717	Differential pinion mate	2	
6	5042524	13338-3	Thrust washer—Differential pinion mate	2	
7	5042526	11449	Shaft—Differential pinion mate	1	
8	K.28139	13449	Lockpin—Shaft	1	
9	5042527	18078	Spacer—Axle shaft	1	
10	P.43906	550180/550225	Bearing—Differential	2	
11	5042528	S.58	Shim, -003" } Differential	2	
	5042529	S.59	Shim, -005" } bearing	2	
	5042530	S.74	Shim, -010" } bearing	2	
	5042531	S.75	Shim, -030" } bearing	2	
12	5042517		CROWN WHEEL AND BEVEL PINION	1	
13	5042693		Screw—Crown wheel	10	
14	5042518		Lockstrap—Screw	5	
15	5042694		Gear carrier cover	1	
16	5042519	18434	Gasket	1	
17	19605051	} 30230	Screw ... } Cover	10	
18	9661201		Lockwasher } Cover	10	
19	K.28087	500091	Filler and drain plugs	2	
20	5042520	15365	Cap—Differential bearing	2	
21	5042696	500400-20	Screw ... } Differential	4	
22	9660321		Lockwasher } bearing cap	4	
	1224359		Steady bracket bearing	1	
23	5042698	550246/550233	Pinion bearing—Inner	1	
24	5042699	550163/550213	Pinion bearing—Outer	1	
25	K.28148	S.112	Adjusting shim inner, -003" } Pinion bearing	2	
	K.28149	S.113	Adjusting shim inner, -005" } Pinion bearing	2	
	K.28058	S.114	Adjusting shim inner, -010" } Pinion bearing	2	
26	K.28059	S.638	Adjusting shim outer, -003" } Pinion bearing	2	
	K.28060	S.638-1	Adjusting shim outer, -005" } Pinion bearing	2	
	K.28061	S.638-2	Adjusting shim outer, -010" } Pinion bearing	2	
	K.28062	S.638-3	Adjusting shim outer, -030" } Pinion bearing	2	
	5042700		Pinion bearing washer	A/R	
27	5042539	30180	Pinion oil slinger	1	
28	K.28065	14223	Pinion oil seal	1	
29	K.28066	30188	Gasket—Pinion oil seal	1	
30	5042541		Driver coupling (Companion flange)	1	
31	K.28067		Dust shield—Driver coupling	1	
32	5042702	30185	Nut } Pinion	1	
33	9067078	30186	Washer } Pinion	1	
34	5042703		Axle shaft	2	
35	5042684		Bearing 30185 26577	2	
36	K.28079		Shim, -003" } Axle shaft	2	
	K.28080		Shim, -005" } Axle shaft	2	
	K.28081		Shim, -010" } Axle shaft	2	
	K.28082		Shim, -030" } Axle shaft	2	
37	5043255		Bearing retainer—Axle shaft	2	

REAR AXLE AND ROAD WHEELS

Plate Ref.	Rootes Part Number	Dana Part Number	DESCRIPTION	No. per Veh.	REMARKS
			REAR AXLE UNIT—continued		
38	5042685		Oil seal	2	
39	5042686		Nut } Axle	2	
40	5042687		Washer } shaft	2	
41	K.28076		Key	2	
42	5042689		Hub oil seal	2	
43	5042690		Gasket—Oil seal	4	
	5042691		Bolt } Brake	8	
	5042692		Nut } backplate	8	
44	1224649		HUB c/w Bolts	2	
	1214407		Bolt—Road wheel	8	
			PANHARD ROD		
			PANHARD ROD COMPLETE—Not supplied		
45	1224786		Panhard rod tube c/w plug	1	
46	1224784		Spigot end—Panhard rod	1	
47	1224789		Bolt—Panhard rod plug end	1	
48	K.23618		Rubber bush—Panhard rod	4	
49	9067054		Washer, 3/8" plain	2	
50	5220703		Nut, 3/8" UNF.	1	
51	9520060		Nut, 3/8" UNF. lock	1	
52	9520100		Nut, 3/8" UNF. lock	1	
			ROAD WHEELS		
	1214930		ROAD WHEEL (Disc Type)	5	Not supplied
			Tyre, 5-90 x 13		
	1207244		Nave plate	4	
	1224813		Wheel trim	4	
	9228002		Balance weight—1/2 oz.	A/R	
	9228003		Balance weight—1 oz.	A/R	
	9228004		Balance weight—1 1/2 oz.	A/R	
	9228005		Balance weight—2 oz.	A/R	